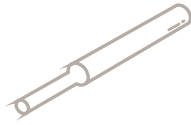


# PUSH-OPEN

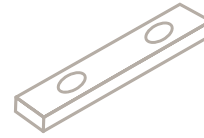
Handle Mounting Instructions

A.S.HELSINGÖ

## Content



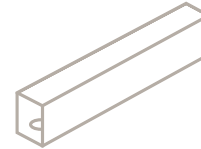
1x TIP-ON UNIT



1x ADAPTER PLATE



2x MOUNTING SCREWS



1x IN-LINE ADAPTER PLATE

## Mounting

It's invisible. Place the handle where you will push the door to open. There are two alternative ways:

### Alternative 1 (screwdriver only)

1. Mount the adapter plate on to the pre-drilled holes and screw on
2. Attach the in-line adapter plate on to the adapter plate
3. Place the tip-on unit in the in-line adapter

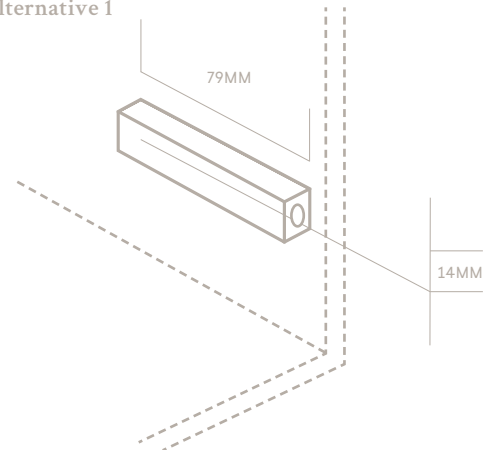
### Alternative 2 (drill needed)

Mount the Push-Open handle into the frame.

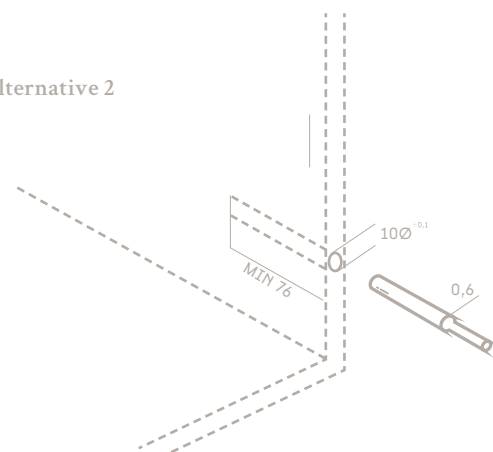
1. Drill a 10 Ø mm hole, 76 mm into the frame
2. Place the tip-on unit in the in-line adapter
3. Place the in-line adapter into the drilled hole

## Drilling Template

### Alternative 1



### Alternative 2



## Safety

Be sure to always follow the safety instructions that apply to your IKEA cabinet frame. Always secure the cabinet to the wall. This also applies to low cabinets where the weight distribution changes drastically when the doors are opened. Especially in the case the solid A.S.Helsingö doors. Use the anchor brackets supplied with the IKEA cabinet frame.

*We are happy to help!*

Email: [info@helsingo.com](mailto:info@helsingo.com) Phone: +358 20 718 1510