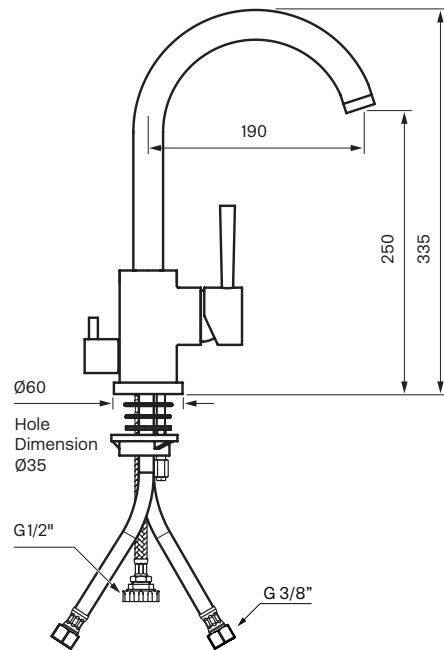


Tapwell

Operation & maintenance



EVO 184

Kitchen faucet with dish washer connection.

Article number:

Chrome **8308928**

Steel **8308969**

Brass **8227535**

Grottesco (crude brass) **8227536**

Copper **9418359**

Rose Gold **9418657**

Black Chrome **9418802**

Honey Gold **9419093**

White Gold **9418720**

Aerator: **ZAER025**

Ceramic cartridge: **ZA91102**

Cleaning

Wipe the surface with a soft cloth and luke-warm water and possibly a mild soap. The surface withstands no basic, acidic, lime dissolving or abrasive detergents.

Brass is a material that over time will get a beautiful patina but can be polished with brass polish.

Copper and Grottesco (crude brass) should not be polished. The other surfaces keep their shine and Honey Gold, Rose Gold and White Gold gets the luster from 2-3% real gold.

Decalcification

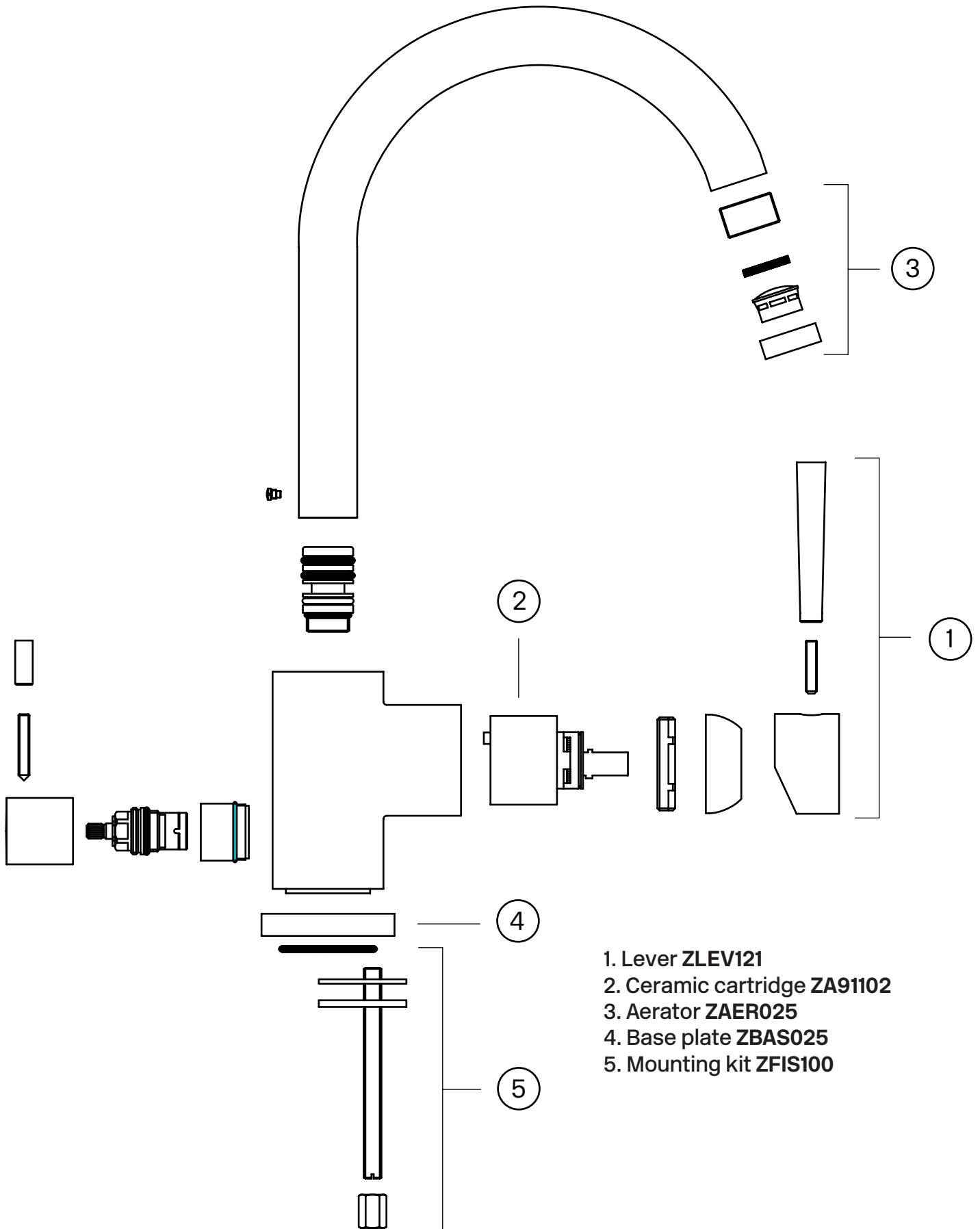
Aerators shall regularly be decalcified by water and vinegar mix for a few hours.

Lubrication

Lubricate only with silicone grease.

Tapwell

Explosion drawing



Tapwell

Flow rate

EVO 184

